

Vertical lifting fabric door

Megadoor VL3190

ASSA ABLOY

ASSA ABLOY Entrance Systems

The global leader in
door opening solutions



Custom design vertical lifting fabric door

The Megadoor VL3190 vertical lifting fabric door is the preferred door model for the extremely large door openings needed for aircraft hangars and shipyard halls, it serves equally well in any door application where innovative design will make a positive difference to the construction cost and subsequent operating efficiency.

The unique design and structure offers durability, tightness, energy efficiency, operational reliability and minimum maintenance. Every door is individually designed to meet application requirements, for example wind load.

The main advantages of the unique Megadoor are:

- Robust design
- Operational reliability
- Low maintenance cost
- Well sealed
- Flexible design
- Suitable for tough industrial environment
- Top-class safety and quality

Multiple doors with unlimited width

- There are almost no practical limits to the size and configuration of the Megadoor vertical lifting fabric door.
- In some cases (extremely wide openings for example), it is a good idea to divide openings into several smaller opening sections. With Megadoor swing-up mullions separating door leaves, this permits a virtually unlimited opening width.
- Doors in multiple door arrangements can be opened individually or, if the entire opening width is needed, all together.

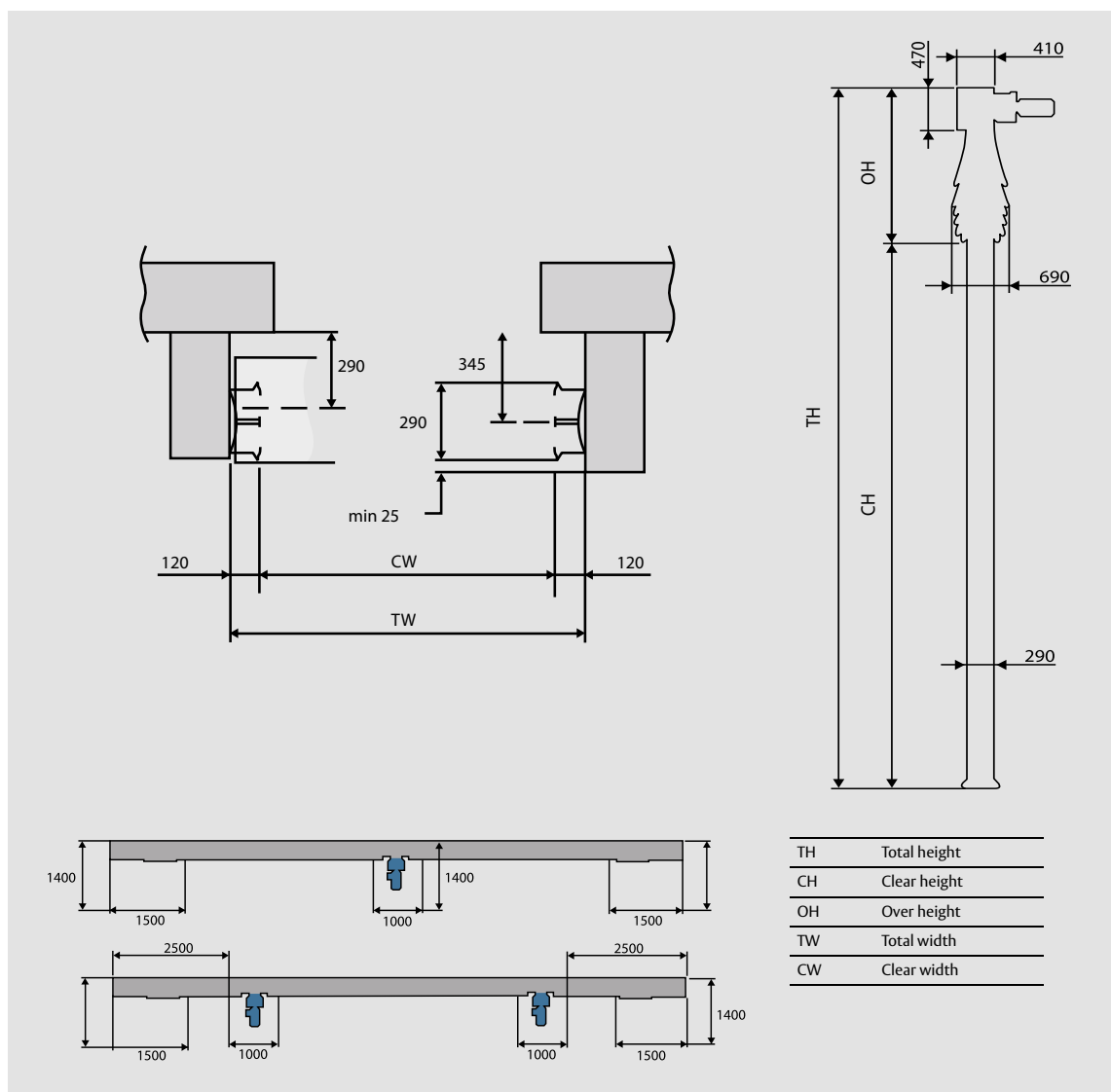
Optimum hangar doors

- The use of multiple Megadoor sections allows hangars to be constructed with optimum cost-efficiency, while also permitting advanced building design.
- No ground tracks are needed, so there is no risk of door malfunction due to snow, ice or sand drifts.

Technical Data

Max size (W / H) ¹	19000 / 20000 mm
Door leaf thickness	290 mm
Guide rails material	aluminium
Vision panels	optional
Wind load resistance (differential pressure)	can withstand almost any wind load by varying the size and the spacing of the intermediate sections.
Sound reduction (standard)	15 dB Rw (ISO 717)
Water resistance, EN 13241	class 3
Air permeability, EN 12426	class 3
Thermal transmittance, EN 12428	depending on door size, specific data on request
Normal opening speed	0,2 - 0,3 m/s
Operating environment temperature range	-35°C to +70°C
1) Other sizes on request	

Dimensional specifications



Options



Vision Panels

Vision panels (windows) are available for the standard and arctic fabrics to improve light admission and visibility through the door leaf. The vision panels are available in four different sizes.



Arctic Fabric

The arctic fabric replaces the standard fabric in environments where the temperature can be as low as -45°C. It is only available in blue (RAL 5010).



Sound-reduction Fabric

The sound-reduction fabric is for use in environments where the transmission of sound through the door must be reduced. It is installed on both sides of the door leaf.



Security Fabric

The security fabric is for use in environments where security is important. It is similar to the standard fabric with the addition of galvanized steel wires inside the fabric. It is installed on both sides of the door leaf behind the standard fabric.



Heat-resistant Fabric

The heat-resistant fabric replaces the standard fabric on the inside of the door leaf when there is a requirement to contain heat and/or chemical hazards. It is available with three different coatings dependant on the environment where it is going to be used.

Standard available colours

